

## IMPORTANT INFORMATION

- The insert is made of polylactide polymers - PLA (in the deluxe version with 30% wood fibres).
- PLA is formed from natural sugars and starches and is therefore fully biodegradable.
- Do not expose printed products to direct UV light and temperature above 50°C – deformation (bending, twisting) could occur.
- The products are intended for storage in a closed box, not for mechanical stress.
- Store the insert in a dry environment.
- The material is fragile, please do not test its elasticity.
- Not intended for use with food.
- Insert may contain small parts – not intended for children under 14 years of age.



## MAINTENANCE

- Empty insert can be wiped with a water dampened cloth without added chemicals or detergents.

## OTHER INFORMATION

- If you are not sure how to fold the insert or how to store it in the board game box, we have prepared a video which you can access via the QR code. The video is also available on our e-shop.
- The included **QR code sticker** is intended to be placed on the inside of the board game box lid. It provides quick and convenient access to illustrated instructions for placing the organizer into the game box.



Instructions for using the insert

# ARKWRIGHT: THE CARD GAME

## INSERT DESCRIPTION

The insert is designed to organize and store the game components of the board game **Arkwright: The Card Game (2021)** and to make it easier to prepare before playing.

**PARTS** (amount of components - 6)

**4x organizer for player**

**1x organizer for shared components**

**1x divider**

Designed and produced  
in the Czech Republic.



## RECYCLING INSTRUCTIONS

Packaging box



PAP

Product



PLA

Filling, packaging tape



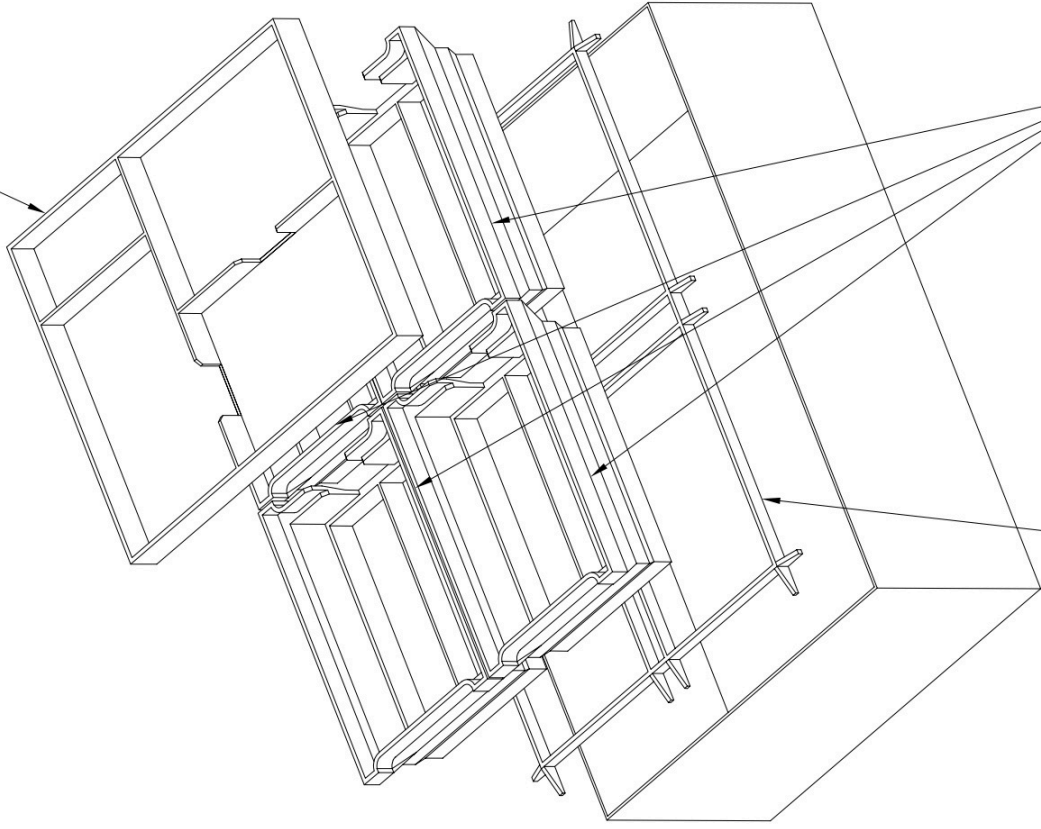
PAP



HDPE

**WOODNEQ** | [shop@woodneq.com](mailto:shop@woodneq.com) | [www.woodneq.com](http://www.woodneq.com)

SHARED COMPONENTS



PLAYER COMPONENTS

DIVIDER